



Magic Box Automatic Soap Dispenser

ASD-0002

Installation Manual



Quality Guarantee

Thank you for choosing the automatic wall mount soap dispenser. Please read the instruction carefully before installation. This manual is for your reference only.



Features

- Hands free sensor operation improves hand washing hygiene.
- Easy installation and low-cost maintenance
- Battery powered.
- Suitable for schools, offices, supermarkets, hospitals, and other high volume facilities

Specifications

Power	9V (6x AA Alkaline batteries)
Sensing Range	5 – 15 cm
Soap Vol per Drop	1 ml
Soap Bottle Volume	1200 ml
Ambient Temperature	1 – 45 °C
Sensing Range	9 – 15 cm
Dispenser Box Dim	152 x 230 x 117 mm

Before Installation

- Locate position of soap dispenser.
- Ensure that soap dispenser does not interfere with anything above the lavatory/counter top area. Must be installed 400 mm above the counter.
- Pay special attention so that the sensor surface is not flawed or scratched during the installation process.
- Before installing on the wall, check that no other piping and wiring is running behind hole locations. Wall should be sufficiently reinforced or risk failure due to foam tank case unit falling.
- Do not place other devices that use an inverter or infrared sensor near the faucet, as this may cause the faucet to malfunction.

Tools You will Need

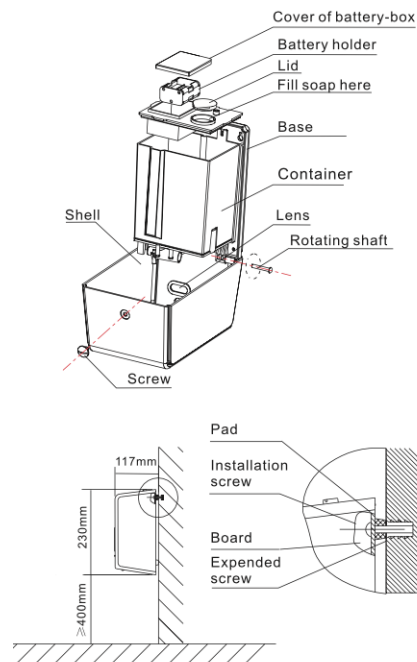
- Power drill with 6 mm wall drill bit
- Flat head screwdriver
- Ruler/tape measure



Construction / Installation Diagram

Box Assembly

- i. Using a flat head screw driver open the front box cover
- ii. Use the mounting grey plastic bracket as a guide, mark where holes need to be drilled. Important: Make sure bracket and case unit is mounted level.
- iii. When installing onto a concrete wall, drill holes 30 mm deep using a 6 mm masonry drill bit. Insert wall anchors into the holes and mount the dispenser using screws.
- iv. Remove the grey rubber battery cover and install 6 AA size batteries. Assemble back the rubber cover and tighten the cover using the four supplied Philips screws. Guide the male battery box cable through the bottom opening and place the case.



Fill / Refill Soap

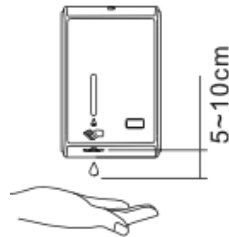
1. With the front case cover lowered, remove the circular grey rubber cap.
2. Fill the soap cartridge with soap. Avoid overfilling the bottle.



3. Place back the soap rubber cap, close the front box cover and securely fasten with the the flat head box screw.

Operations

As the user's hands enter below the beam's effective range (5 – 15 cm), the beam is reflected back into the sensor receiver and activates the solenoid valve allowing a single soap application to flow from the dispenser.

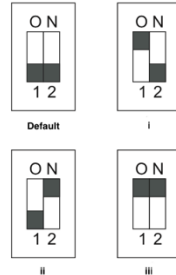


Soap Volume Adjustment

No adjustments are required for most settings. Factory default soap volume is 1 ml with switch setting at 1 ,2. The factory setting should be satisfactory for most installations.

To adjust the volume:

1. Using a flat head screw driver remove the screw and lower the front box cover.
2. Using a phillips screw driver remove the two phillips screw & the washers that are securing the soap cartridge. Ensure the both the rubber soap & battery caps are tightly secured onto the soap cartridge
3. Turn the cartridge upside down.
4. Adjust soap volume using the red dip switch dials for:
 - i. Two drops set switch to O, 2
 - ii. Four drops set switch to 1, N
 - iii. 8 drops drops set switch to O,N

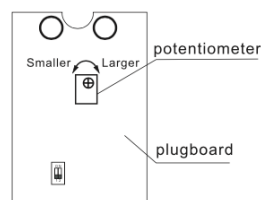


Soap Dispensing Range Adjustments

No adjustments are required for most settings. Factory default range is set at 12 cm. The factory setting should be satisfactory for most installations.

To adjust the dispensing range:

1. Using a flat head screw driver remove the screw and lower the front box cover.
2. Using a phillips screw driver remove the two phillips screw & the washers that are securing the soap cartridge. Ensure the both the rubber soap & battery caps are tightly secured onto the soap cartridge.
3. Turn the cartridge upside down.
4. With a small flat screw driver turn the potentiometer (small brass dial) clockwise to increase sensing range & counterclockwise to reduce range.



Battery Replacement

1. Using a flat head screw driver remove the screw and lower the front box cover.
2. Remove the rubber grey cover / cap
3. Remove the 6 AA size batteries.
4. Replace with 6 new batteries, place back the cover.
5. Enclose the box cover and tighten the flathead screw.



Troubleshooting

1. Unit does not operate
 - i. Check battery. Remove & replace 3 AA size batteries.
2. Soap does not dispense
 - i. Soap bottle needs refill. Refill soap.
 - ii. Check soap dispensing nozzle for clog. Clean nozzle with soft cloth.

Care & Cleaning

DO NOT USE abrasive or chemical cleaners (including chlorine bleach) to clean dispenser that may dull the luster and attack the special decorative finishes. Use ONLY mild soap and water, then wipe dry with clean cloth or towel. While cleaning the bathroom tile, protect the dispenser from any splattering of cleaner. Acids and cleaning fluids will discolor or remove decorative finish.



Resources



For Installation guides, visit our resource page through the QR code

Alternatively, you can visit our resource page at <https://faucetscanada.ca/resources/>



To view more products from Faucets Canada, visit our shop page through the QR code.

Alternatively, you can visit our shop page at <https://faucetscanada.ca/shop/>

Warranty Information



For information on product warranty, visit our resource page through the QR code.

Alternatively, you can visit our warranty claims page at <https://faucetscanada.ca/warranty-claim/>



About us

Here at FCI, our main goal is to break the eco-innovation boundary and provide customers with fixtures that save water and deliver reliable sources of sanitation every time.

As Canada's favourite automatic faucet brand, we are proud to say we deliver quality touchless fixtures that perform beyond expectations and exceed design standards.

To learn more about Faucets Canada, please visit our website at FaucetsCanada.ca