



## SmartFlush In-Wall Automatic Urinal Flusher

AUF-1000

# User's Manual



## Quality Guarantee

\*Thanks for choosing the automatic urinal flusher.

\*Please read the instruction before installation and retain for future reference.

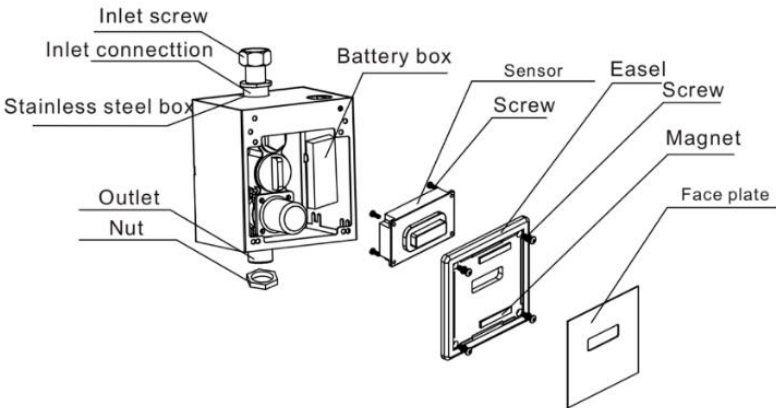


# Features and Functions

- Sensor timing delay: 8 Seconds.
- Control circuit: 6V battery operated.
- Sensor range: 55 – 65 cm.
- Solenoid Valve: 6V.



# Part List





# Operations

## 1. Detection / Activation

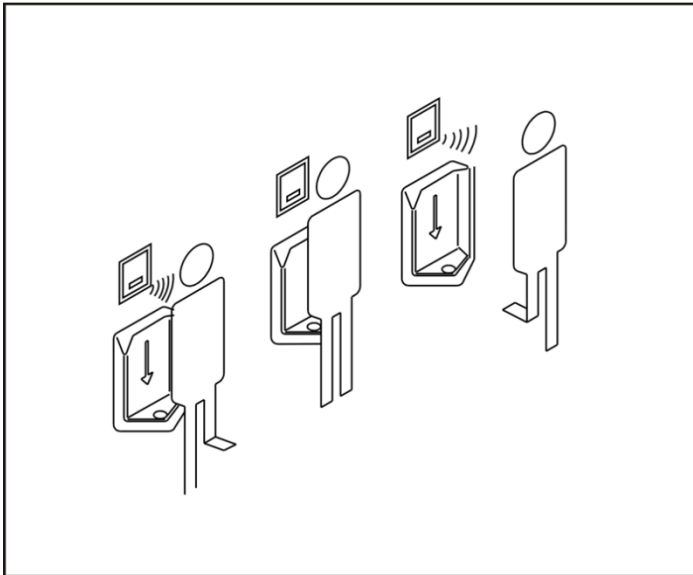
No manual adjustments are required for most settings. Default beam's effective range is 55 – 65 cm.

When the sensor detects a user, flashing red light appears in the sensor window. After approximately eight (8) seconds, the light will flash indicating sensor is activated.

When the user steps away from the sensor, the loss of reflection initiates a signal that will energize the solenoid and activate the flusher to flush the fixture. The circuit then automatically resets and is ready for the next user.



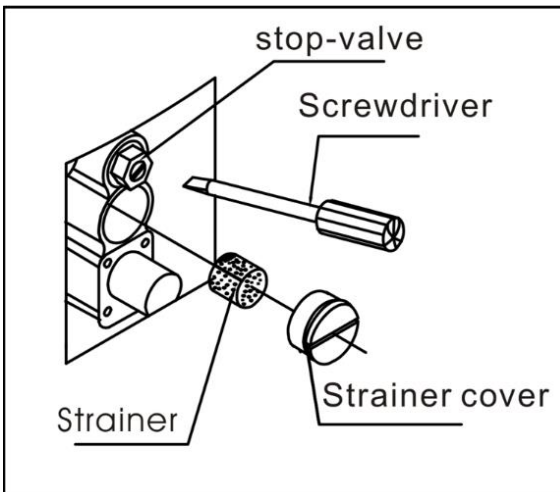
# Operations diagram





## 2. Adjust Flow

Using a Philips screw driver remove the black plastic cover from the junction box (see drawing). Locate the control stop (stop valve) & with a flat head screw driver adjust (counter clockwise) the stop valve to desired flow rate.





### 3. Strainer Maintenance

Turn off the stop valve in the clockwise direction. Open the strainer cover and remove the steel meshed strainer. Use soap and water, then wipe dry with clean cloth or towel. DO NOT use abrasive or chemical cleaner including bleach.



#### 4. Battery Replacement

Replace battery when RED LED indicator flashes rapidly (?) or when flusher stops functioning.

- i. Turnoff the stop valve.
- ii. Disconnect the battery box from the sensor.
- iii. Remove the battery holder
- iv. Using a Philips screw driver remove the battery cover and the batteries.
- v. Replace 4 AA batteries
- vi. Place back the battery cover and fasten the four Phillip screws to secure the cover.
- vii. Connect the battery holder to the sensor and place the battery holder inside the junction box.
- viii. Place the black plastic junction cover & fasten cover onto the junction box.



## Troubleshooting

1. Flusher does not function (red light does not flash when user steps in front of sensor).
  - i. No power is being supplied to sensor. Check battery & sensor connections. Ensure both male & female connectors are engaged.
  - ii. Replace battery.
  - iii. Repair or replace as necessary.
2. Volume of water is insufficient to adequately siphon fixture.
  - i. Control stop is not open wide enough. Adjust control stop for desired water flow.



## Care & Cleaning

1. DO NOT use abrasive or chemical cleaners to clean flusher as they may dull the chrome texture. Use ONLY soap and water, then wipe dry with clean cloth or towel.
2. While cleaning the bathroom tile, the Flushometer should be protected from any splattering of cleaner. Acids and cleaning fluids can discolor or remove chrome plating.



## Resources



For Installation guides, visit our resource page through the QR code.

Alternatively, you can visit our resource page at

<https://faucetscanada.ca/resources/>



To view more products from Faucets Canada, visit our shop page through the QR code.

Alternatively, you can visit our shop page at

<https://faucetscanada.ca/shop/>

## Warranty Information



For information on product warranty, visit our resource page through the QR code.

Alternatively, you can visit our warranty claims page at

<https://faucetscanada.ca/warranty-claim/>



## About us

Here at FCI, our main goal is to break the eco-innovation boundary and provide customers with fixtures that save water and deliver reliable sources of sanitation every time.

As Canada's favourite automatic faucet brand, we are proud to say we deliver quality touchless fixtures that perform beyond expectations and exceed design standards.

To learn more about Faucets Canada, please visit our website at [FaucetsCanada.ca](http://FaucetsCanada.ca)