



About us

Here at FCI, our main goal is to break the eco-innovation boundary and provide customers with fixtures that save water and deliver reliable sources of sanitation every time.

As Canada's favourite automatic faucet brand, we are proud to say we deliver quality touchless fixtures that perform beyond expectations and exceed design standards.

To learn more about Faucets Canada, please visit our website at FaucetsCanada.ca



Merit Automatic Faucet

ASF-0004D

Installation Manual



Quality Guarantee

Thank you for choosing the automatic wall mount faucet. Please read the instruction carefully before installation. This manual is for your reference only.



Features

- Hands free sensor operation.
- Strategic location sensor at tip of spout for instant response time.
- Easy installation and low-cost maintenance

Specifications

Battery Type	Li 223A (CR-P2) 6V
Flow Volume	2-6 liters per minute
Max. Temperature	80 °c
Water Pressure	0.3-10 bar
Battery Life Time	Average use of 50 times per day is 3 years



Resources



For installation guides, visit our source page through the QR code

Alternatively, you can visit our resource page at <https://faucetscanada.ca/resources/>



To view more products from Faucets Canada, visit our shop page through the QR code.

Alternatively, you can visit our shop page at <https://faucetscanada.ca/shop/>

Warranty Information



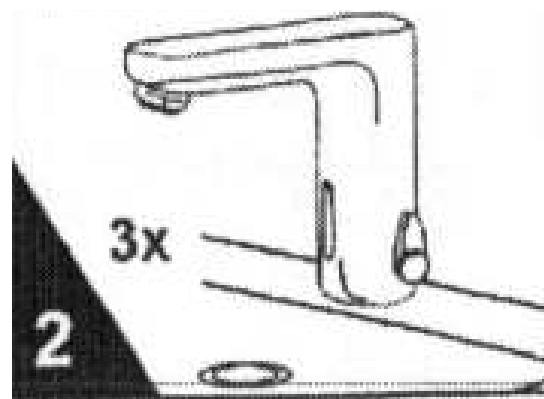
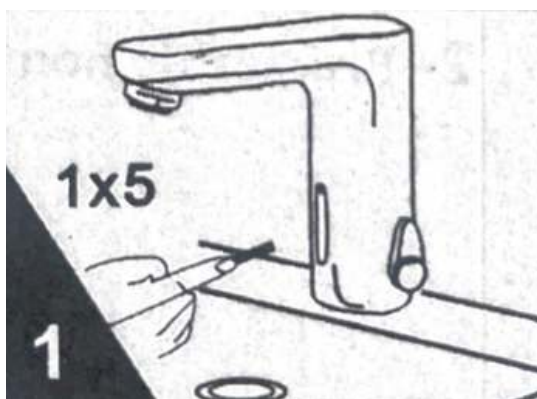
For information on product warranty, visit our resource page through the QR code.

Alternatively, you can visit our warranty claims page at [https://faucetscanada.ca//warranty - claim/](https://faucetscanada.ca//warranty-claim/)



How to turn off the faucet

1. Push the setting button, holding it until the LED blinks 5 times then release it.
2. After releasing the setting button, the LED will immediately blink 3 times.
3. The faucet is now turned off, if you want to turn on the faucet again, push the button once,





Before Installation

- Observe all local and plumbing codes.
- Check the cold and/or hot water supply pressure.
 - The recommended working pressure range is 20 psi - 70 psi (138 kPa - 551 kPa). If the supply pressure is higher than 80 psi (551 kPa), reduce to within recommended range by using a pressure reducing valve (sold separately).
- Check the temperature of the water supply.
 - The recommended supply temperature range is 39°F - 104°F (4°C - 40°C) Never use steam as a hot water supply.
- Flush all water lines prior to installation. Other precautions before you begin:
- Pay special attention so that the sensor surface is not flawed or scratched during the installation process.
- Make sure that all pipework, stop valves, and connection lines are installed according to local codes



Do not place other devices that use an inverter or infrared sensor near the faucet, as this may cause the faucet to malfunction.

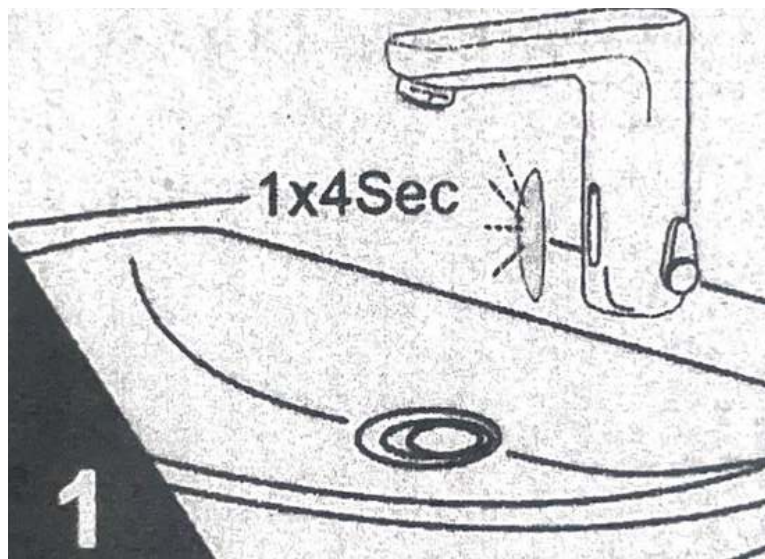
Tools You Will Need

- Adjustable wrench
- Power drill
- Phillips screwdriver



Battery life indicator

1. When the battery is about to die, LED blinks every 4 seconds.
2. The blinking action gradually reduces to 2.5 times per second.
3. Afterwards, the faucet will be turned off automatically, and the water flow will stop, the LED continues blinking.



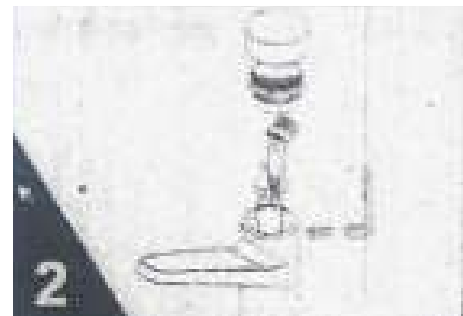


Changing the battery

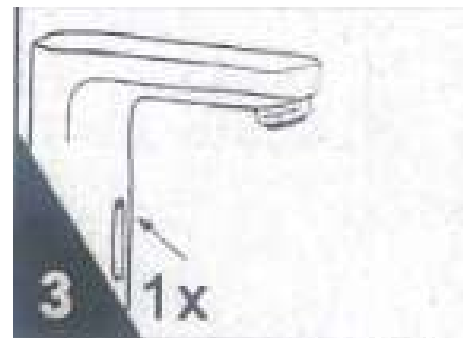
1. Separate the electronic part from the faucet



2. Remove the old battery, waiting at least one minute then replace the new battery.



3. Push the setting button once.



4. The faucet is now ready to use.





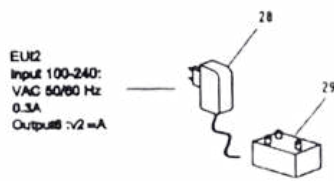
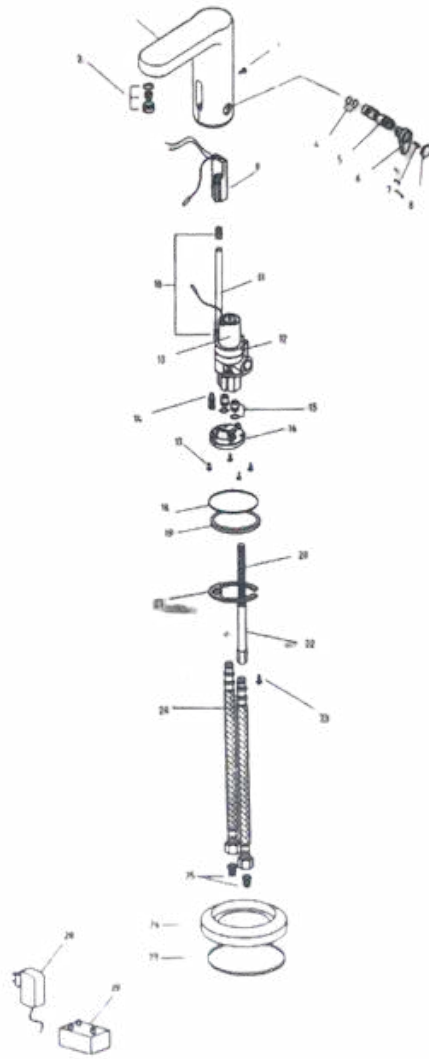
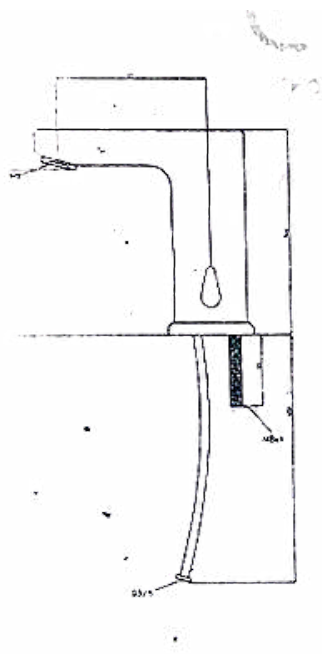
Operations

No adjustments are required for most settings. Effective sensor default range is 65 cm. The factory setting should be satisfactory for most installations.

Place your hands under the faucet. The water will flow for 5 secs within the sensor's range. When hands are removed water flow should stop.



Installation Guide



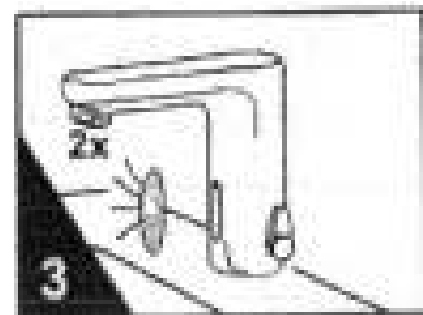
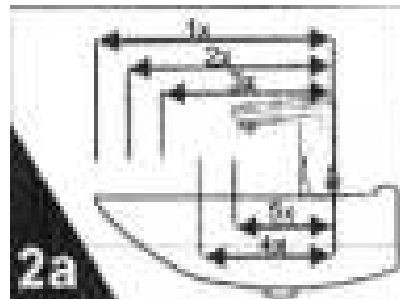


How to adjust sensor range

1. Set the faucet on continuous off mode (refer to the section that explains how to turn off the faucet). Push the settings button then release the button after LED blinks twice.



2. Push the setting button again until the LED starts blinking. As the LED blinks once, the maximum range will be set, and as it blinks 5 times, the minimum range will be adjusted.



3. Upon releasing button, the LED blinks twice.

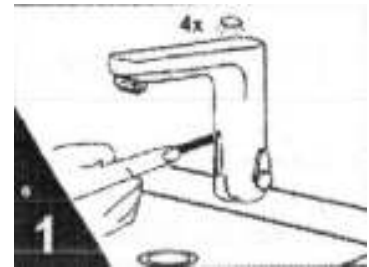


4. Now the sensor range is adjusted successfully.

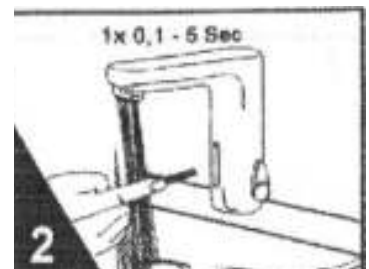


How to set the water flow duration

1. Push the setting button until LED blinks 4 times, then release the button.

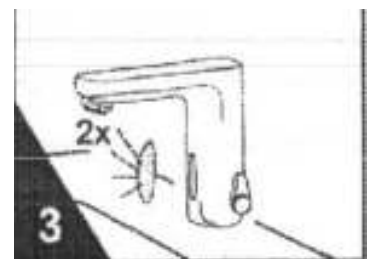


2. Push the button again, holding 1 to 5 seconds.

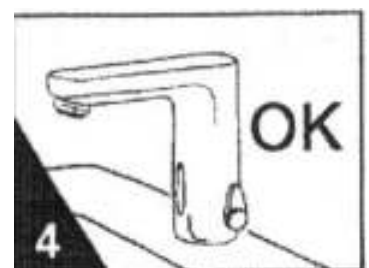


Depending on how long you hold the setting button, the water flow duration will be set between 0.5 to 4 seconds)

3. The LED blinks twice.



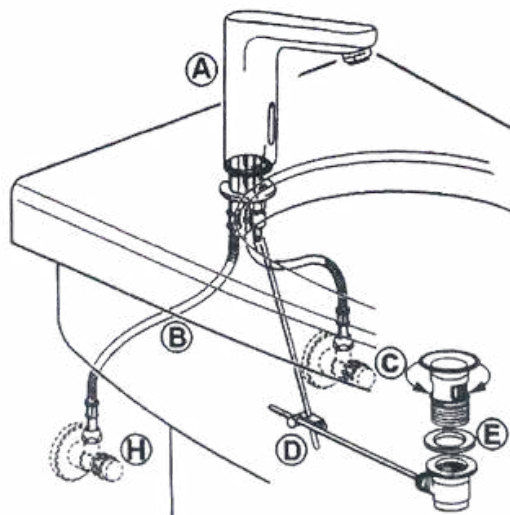
4. The faucet is ready to use.





Installation

The faucet and its mechanical parts should be installed into the sink or wall, as it is shown in the picture below.



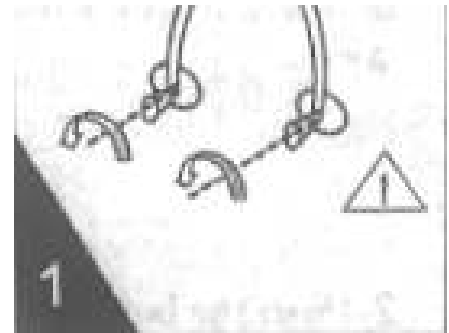
The alphabet list below should be matched with the picture below:

- A Drain handle on faucet
- B Flexible Hose
- C Cold water
- D Handle from drain to faucet
- E Exploded drain
- H Hot water

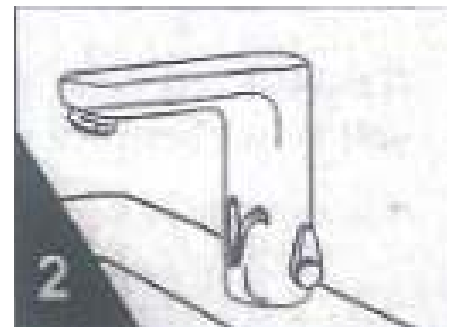


Preparations

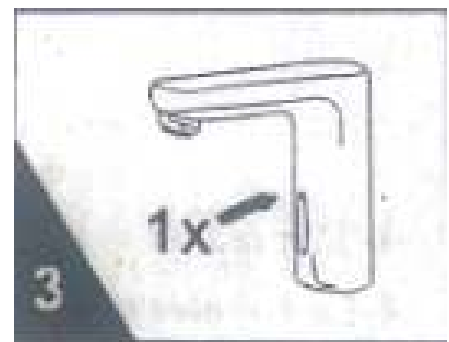
1. Open the power valves equally.



2. Separate the label from the electronic part.



3. Push the setting button once.



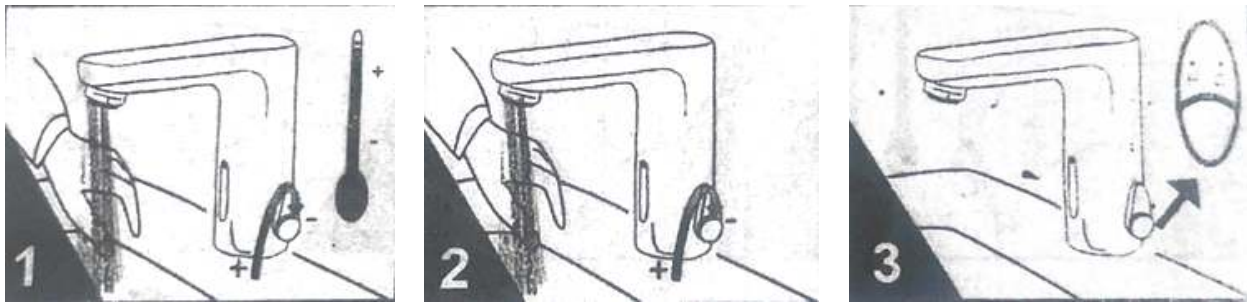
4. The faucet is now ready to use.





How to adjust the water temperature

By using the hot or cold lever, the flowing water temperature can be set.



Warning:

Please note the faucet will be installed in a non-freezing area. In any steps if the flowing water stops, or confronts with continuous flowing water, remove battery, replace it after one minute and press the button once. If the problem is not solved, close the input piswar valves , and kindly contact post-purchase support. Avoid cleaning the faucet with chemicals detergents, In order o clean the faucet, use a moistened tissue.