



GooseNeck Touchless Faucet

User's Manual



Thank you for choosing the automatic faucet. Please read the instruction carefully before installation. This manual is for your reference only.

Features

- Hands free sensor operation improves hand washing hygiene.
- Easy installation and low-cost maintenance
- Modular one-piece construction with chrome-plated cast brass spout.
- Adjustable Infrared Sensor Range
- Includes appropriate mounting hardware
- Available with hardwired or battery power

Specifications

Power	6V (4 x AA alkaline batteries)
Water Pressure	0.05 – 0.8 MPa
Water Temperature	0.1 – 60 °C
Ambient Temperature	1 – 45 °C
Fittings	G1/2 / G3/8

Before Installation

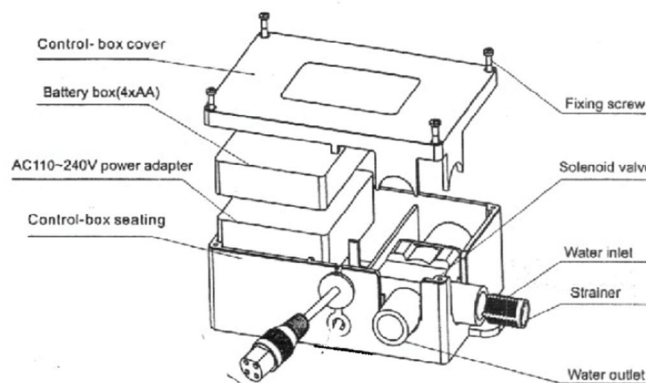
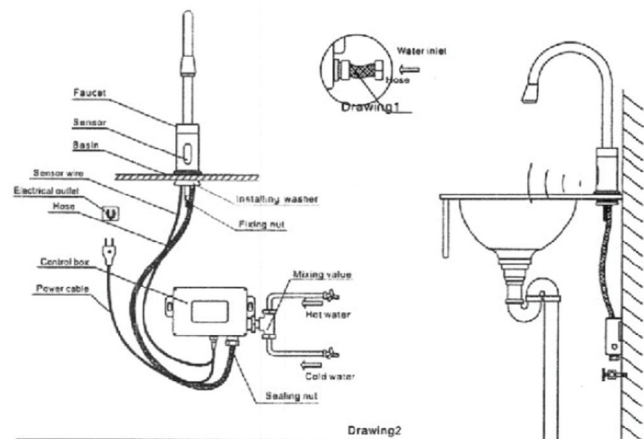
- Install all plumbing in accordance with all local codes and regulations.
- Locate position of soap dispenser Check the cold and/or hot water supply pressure.
- Ensure that control box does not interfere with anything above or below the lavatory/counter top area
- Pay special attention so that the sensor surface is not flawed or scratched during the installation process.
- Before installing on the wall, check that no other piping and wiring is running behind hole locations. Wall should be sufficiently reinforced or risk failure due to foam tank case unit falling.
- Do not place other devices that use an inverter or infrared sensor near the faucet, as this may cause the faucet to malfunction.

Tools You will Need

- Adjustable wrench
- Power drill with 25 – 30 mm counter top drill bit & 6 mm drill bit for the control box installation
- Phillips head screwdriver
- Utility knife
- Mixing valve for hot water (optional)

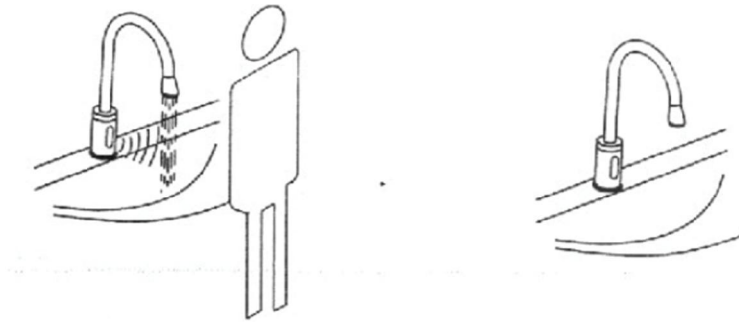
Installation Instructions

1. Drill 25 mm hole Secure the faucet into the countertop.
2. Guide the faucet flex hose and the control cable through the opening.
3. Secure the faucet onto the counter by installing the rubber gasket, retainer & the retainer nut.
4. Tighten nut securely.
5. Using the control box as a template, mark mounting holes on the wall. Provide adequate slack for both the flex hose & the sensor cable.
6. Drill a 6 mm hole at each mounting hole location.
7. Install the supplied plastic anchors into the mounting holes in wall.
8. Install control box to the wall using the supplied fasteners.
9. Install the black male sensor cable from the faucet onto the control box black female cable.
10. Connect flex hose from the faucet onto the water supply line.
11. Loosen the control box screws and remove cover from the control box.
12. Disconnect power cable (red n black), remove the battery holder, remove cover using Philips screw driver and install four AA size batteries as indicated by the “+” & “-” symbols inside the battery holder. Replace cover and tighten.
13. Reinstall holder into the control box and connect the power cable.
14. Reinstall control box cover using all four screws.



Operations

Place hands under the faucet. The valve will turn on allowing the water to flow. When hands are removed the valve is closed and the water flow is stopped.



Set Sensor Range Adjustments

No adjustments are required for most settings. Factory default range is 55 – 60 mm. The factory setting should be satisfactory for most installations.

Sensor range can be adjusted after power is supplied to the faucet. The sensor range is dependent on the distance of your hand or card while sensor is in range setting mode. If no target is placed in front of the sensor, the sensor range will set to its longest distance.

Place your hand or card in front of the sensor at the distance you desire the faucet to activate. Leave the target at this location while the sensor range is setting. Remove hand or card after 30 seconds or when the LED is off. The sensor range is now set.

Battery Replacement

Replace batteries when the sensor LED rapidly flashes three times for 1 sec.

To replace batteries reference “Installation Instructions” above steps 11 – 14.

Troubleshooting

1. Faucet does not deliver any water when sensor is activated.
 - i. Water supply valve line is closed. Open water supply valve.
 - ii. Water inlet strainer in the control box is clogged. Close supply valve and remove water inlet line at the control box. Remove clean and reinstall strainer and water inlet line.
 - iii. Batteries low. Replace batteries.
2. Faucet delivers only a slow flow or dribble when sensor is activated.
 - i. For trouble shooting reference 1.i / ii / iii above.
 - ii. Aerator is clogged. Remove, clean and reinstall aerator.
 - iii. Solenoid valve may be obstructed. Contact FCI.
2. Faucet does not stop delivering water or continues to drip after use.
 - i. Solenoid valve is not sealing. Contact FCI.

Care & Cleaning

DO NOT USE abrasive or chemical cleaners (including chlorine bleach) to clean faucet that may dull the luster and attack the chrome or special decorative finishes. Use ONLY mild soap and water, then wipe dry with clean cloth or towel. While cleaning the bathroom tile, protect the faucet from any splattering of cleaner. Acids and cleaning fluids will discolor or remove chrome plating.