



LongNeck Automatic Faucet

ASF-0011

Installation Manual



Quality Guarantee

*Thank you for choosing the automatic wall mount faucet. Please read the instruction carefully before installation. This manual is for your reference only.



Features

- Hands free sensor operation.
- Strategic location of sensor at tip of spout for instant response time.
- Easy installation and low-cost maintenance

Specifications

Power	6V (4 x Alkaline AA) or 120 V 50 Hz AC
Sensing Range	12 – 15 cm
Water Pressure	0.05 – 0.8 MPa
Water Temperature	0.1 – 60 °C
Response Time	0.5 Secs
Plumbing Fittings	G ½", G3/8", 9/16-24



Before Installation

- Observe all local and plumbing codes.
- Check the cold and/or hot water supply pressure.
 - The recommended working pressure range is 20 psi - 70 psi (138 kPa - 551 kPa). If the supply pressure is higher than 80 psi (551 kPa), reduce to within recommended range by using a pressure reducing valve (sold separately).
- Check the temperature of the water supply.
 - The recommended supply temperature range is 39°F - 104°F (4°C - 40°C) Never use steam as a hot water supply.
- Flush all water lines prior to installation. Other precautions before you begin:
- Pay special attention so that the sensor surface is not flawed or scratched during the installation process.
- Make sure that all pipework, stop valves, and connection lines are installed according to local codes.

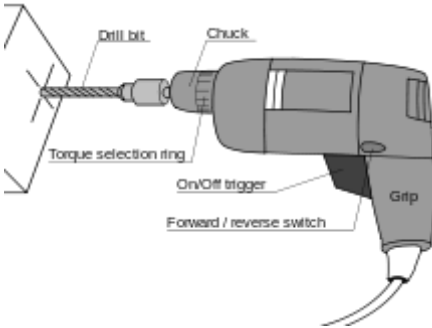


- Do not place other devices that use an inverter or infrared sensor near the faucet, as this may cause the faucet to malfunction.
- Optional: For hot / cold water installation, mixing valve MV-0001 and two ½" F to 3/8" F FH-0001FF flex hoses are required.



Tools You will Need

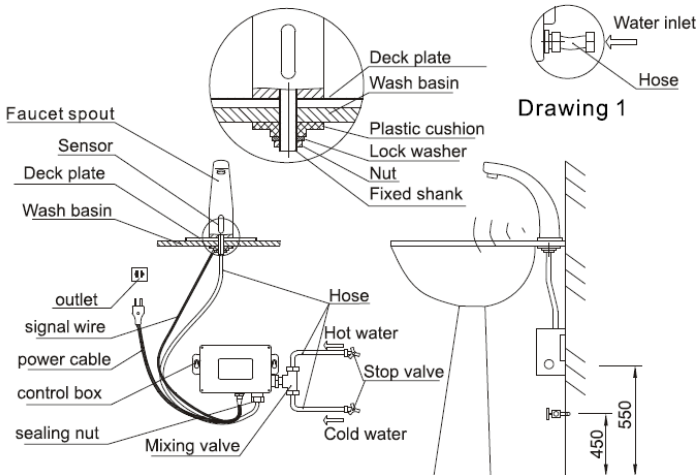
- Adjustable wrench
- Power drill
- Phillips screwdriver





Construction / Installation Diagram

Install per the drawing below (Faucet is for reference only)



Drawing is shown with optional mixing valve



Operations

No adjustments are required for most settings. Effective sensor default range is 12 cm. The factory setting should be satisfactory for most installations.

Place your hands under the faucet. The water will flow for 5 secs within the sensor's range. When hands are removed water flow should stop.

Setting Sensor Range

- Place and hold your hand in front of the sensor at the desired range for 5 seconds until the LED sensor starts to blink. Remove hand / object after 3 blinks. The range is now set.



Battery Replacement

Replace battery when RED LED indicator flashes rapidly or when flusher stops functioning.

- i. Turnoff the water supply.
- ii. Disconnect the battery box from the sensor.
- iii. Remove the battery holder
- iv. Using a Philips screw driver remove the battery cover and the batteries.
- v. Replace 4 AA batteries
- vi. Place back the battery cover and fasten the four Phillip screws to secure the cover.
- vii. Connect the battery holder to the sensor and place the battery holder inside the junction box.
- viii. Place back the battery holder onto the battery bracket.



Troubleshooting

1. LED indicator in the sensor is red.
 - i. Battery power is low. Install four (4) new AA sized batteries.
2. Faucet does not function.
 - i. Batteries not installed correctly or depleted. Install four (4) new AA sized batteries.
 - ii. Battery power cable not connected. Connect the cable securely.
3. Sensor is activated but the faucet does not deliver water.
 - i. Faucet has initiated its adaptive sensing calibration. Wait 45 secs.
4. Faucet delivers only a few flow or dribble when the sensor is activated.
 - i. Water supply valve is partially closed. Open the the supply valve completely.
 - ii. Aerator or spray head is clogged. Remove, clean and reinsert.
 - iii. Remove & clean supply valve filter.



Care & Cleaning

DO NOT USE abrasive or chemical cleaners (including chlorine bleach) to clean faucet that may dull the luster and attack the chrome or special decorative finishes. Use ONLY mild soap and water, then wipe dry with clean cloth or towel. While cleaning the bathroom tile, protect the faucet from any splattering of cleaner. Acids and cleaning fluids will discolor or remove chrome plating.



Resources



For Installation guides, visit our resource page through the QR code

Alternatively, you can visit our resource page at <https://faucetscanada.ca/resources/>



To view more products from Faucets Canada, visit our shop page through the QR code.

Alternatively, you can visit our shop page at <https://faucetscanada.ca/shop/>

Warranty Information



For information on product warranty, visit our resource page through the QR code.

Alternatively, you can visit our warranty claims page at <https://faucetscanada.ca/warranty-claim/>



About us

Here at FCi, our main goal is to break the eco-innovation boundary and provide customers with fixtures that save water and deliver reliable sources of sanitation every time.

As Canada's favourite automatic faucet brand, we are proud to say we deliver quality touchless fixtures that perform beyond expectations and exceed design standards.

To learn more about Faucets Canada, please visit our website at FaucetsCanada.ca